

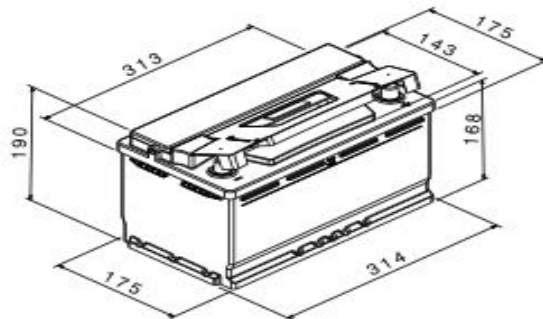


MODEL NAME :	669P
TECHNOLOGY:	ENHANCED FLOODED BATTERY (EFB)

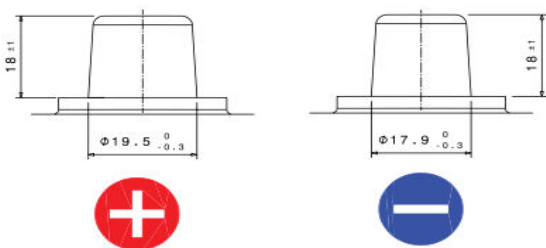
ELECTRICAL			
RESERVE CAPACITY	IEC*/EN	NOMINAL CAPACITY	SAE
150	725	85	725

DIMENSIONS			
Length	Width	Height	O/A Height
314	175	190	190

BATTERY DIAGRAM



TERMINAL TYPE



TERMINAL LAYOUT

