

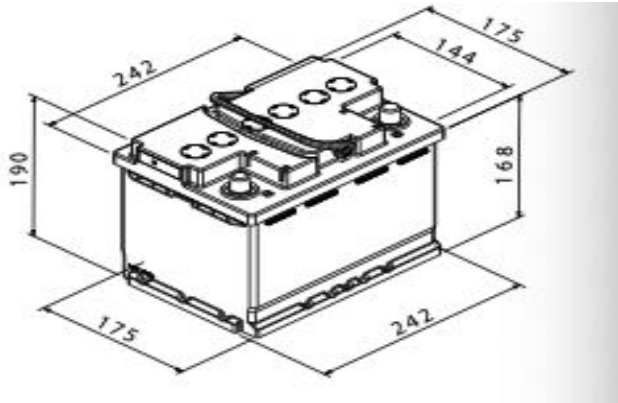


MODEL NAME :	LN2AGM
TECHNOLOGY:	ENHANCED GLASS MAT (AGM)

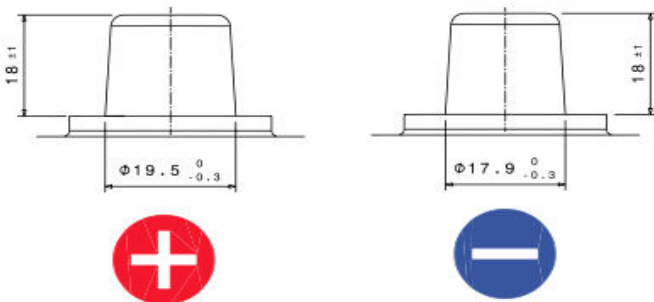
ELECTRICAL			
RESERVE CAPACITY	IEC*/EN	NOMINAL CAPACITY	SAE
100	680	60	680

DIMENSIONS			
Length	Width	Height	O/A Height
242	175	190	190

BATTERY DIAGRAM



TERMINAL TYPE



TERMINAL LAYOUT

