

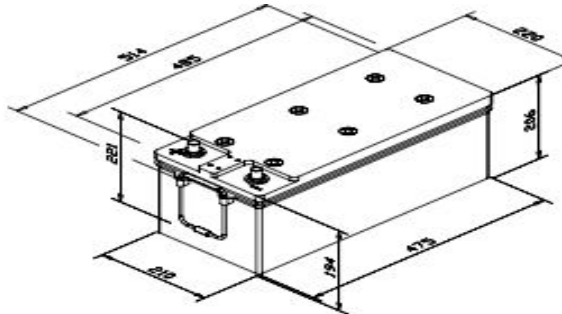


<b>MODEL NAME :</b>	<b>692C</b>
<b>TECHNOLOGY:</b>	<b>ENHANCED FLOODED BATTERY (EFB)</b>

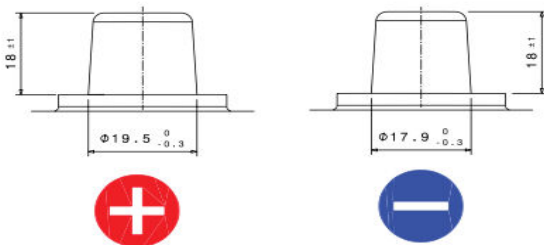
<b>ELECTRICAL</b>			
RESERVE CAPACITY	IEC*/EN	NOMINAL CAPACITY	SAE
<b>250</b>	<b>940</b>	<b>145</b>	<b>940</b>

<b>DIMENSIONS</b>			
Length	Width	Height	O/A Height
<b>514</b>	<b>220</b>	<b>206</b>	<b>206</b>

**BATTERY DIAGRAM**



**TERMINAL TYPE**



**TERMINAL LAYOUT**

