

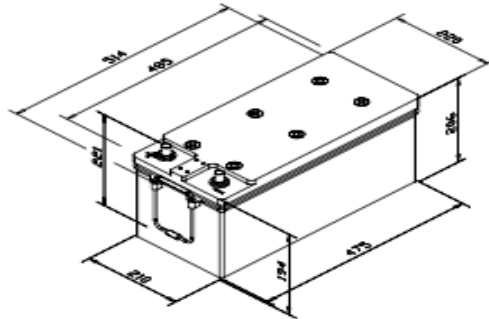


MODEL NAME :	689C
TECHNOLOGY:	ENHANCED FLOODED BATTERY (EFB)

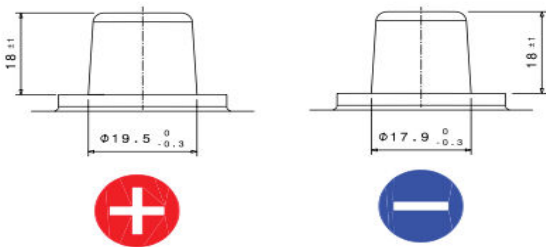
ELECTRICAL			
RESERVE CAPACITY	IEC*/EN	NOMINAL CAPACITY	SAE
220	825	132	825

DIMENSIONS			
Length	Width	Height	O/A Height
514	220	206	206

BATTERY DIAGRAM



TERMINAL TYPE



TERMINAL LAYOUT

