

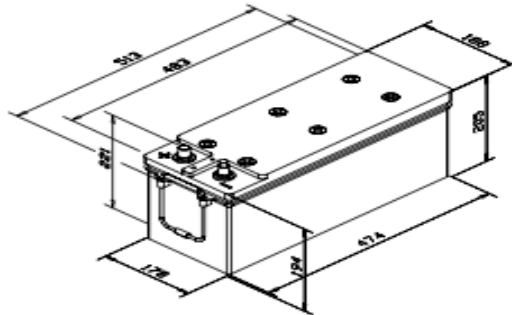


|                     |                                       |
|---------------------|---------------------------------------|
| <b>MODEL NAME :</b> | <b>686C</b>                           |
| <b>TECHNOLOGY:</b>  | <b>ENHANCED FLOODED BATTERY (EFB)</b> |

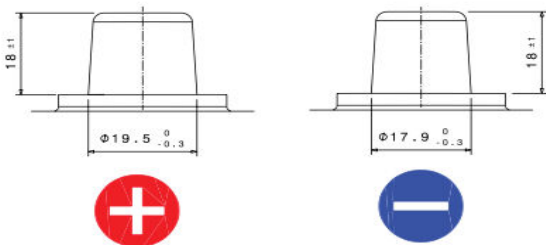
| <b>ELECTRICAL</b> |            |                  |            |
|-------------------|------------|------------------|------------|
| RESERVE CAPACITY  | IEC*/EN    | NOMINAL CAPACITY | SAE        |
| <b>220</b>        | <b>825</b> | <b>132</b>       | <b>825</b> |

| <b>DIMENSIONS</b> |            |            |            |
|-------------------|------------|------------|------------|
| Length            | Width      | Height     | O/A Height |
| <b>513</b>        | <b>188</b> | <b>205</b> | <b>205</b> |

**BATTERY DIAGRAM**



**TERMINAL TYPE**



**TERMINAL LAYOUT**

